



VERSA HEAT

HWR SERIES WOK RANGES GAS

HWR13-N | HWR13-P HWR16-N | HWR16-P 13" & 16" GAS WOK RANGES AVAILABLE IN NATURAL GAS OR PROPANE



HWR13-N

- Line of one info
- Jet burner with an "L" shaped adjustable gas valve
- Anti-clogging 18 or 28 tip jet burner
- 95,000 BTU (28 KW) or 125,000 BTU (37 KW)
- Intense cone-shaped heat
- Stainless steel construction with welded and polished seams
- Pilot ignition system
- 13" & 16" (330mm & 406 mm) wok top sizes available
- Gas pressure regulator is supplied with the unit

WARRANTY:
LIMITED ONE YEAR PARTS
AND LABOUR
SPECIFICATIONS SUBJECT TO
CHANGE WITHOUT
NOTICE.

FIND
ADDITIONAL
BENEFITS
HERE



ADDITIONAL IMAGES



**PRODUCT
DRAWINGS**



**EASY ADJUST
GAS VALVE**



**18 & 28 TIP JET
BURNERS**



**POLISHED
STEEL**



LEVELING FEET

MODEL DESIGNATIONS



ADDITIONAL RESOURCES



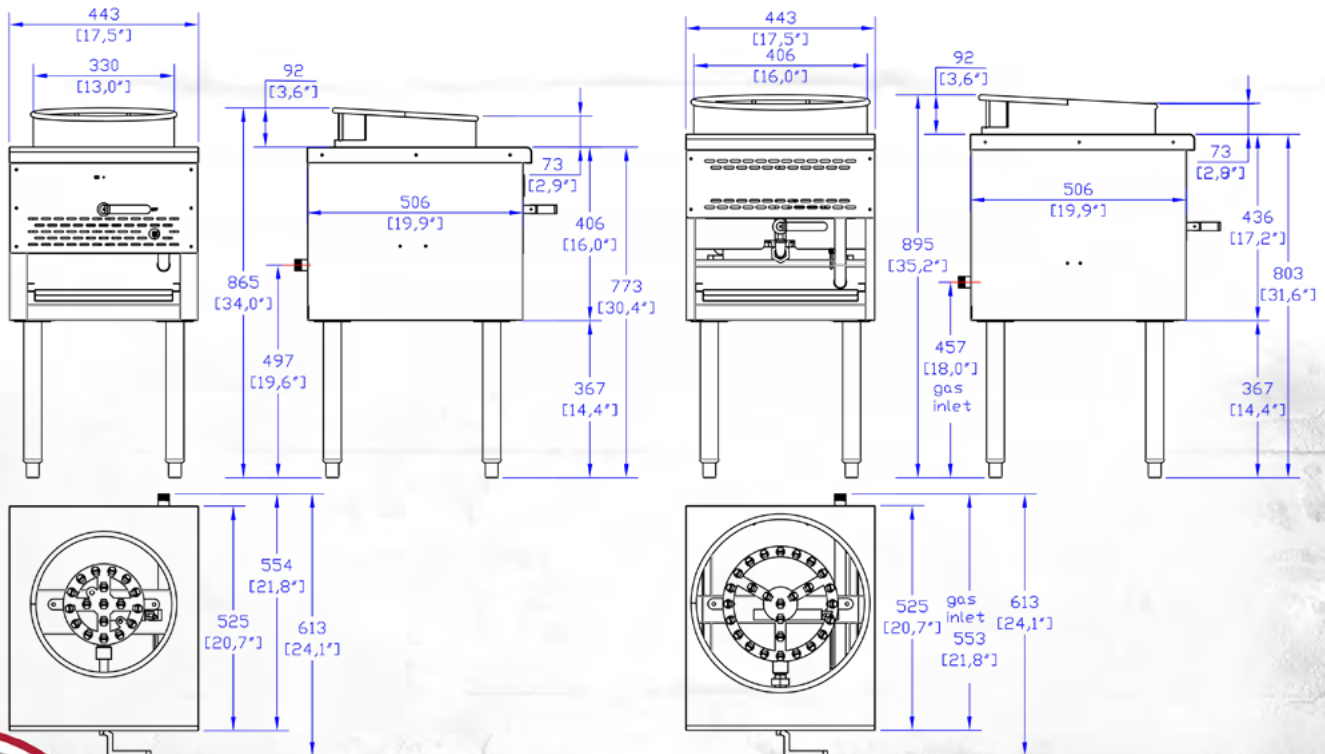
DIMENSIONS

Code	Dimensions	Width		Depth		Height		Weight	
		Inches	mm	Inches	mm	Inches	mm	Lbs	KG
HWR13-N	Exterior	17.4	443.0	24.1	613.0	34.1	865.0	61.6	28.0
HWR13-P	Shipping	18.1	460.0	22.8	580.0	24.4	620.0	77.0	35.0
HWR16-N	Exterior	17.4	443.0	24.1	613.0	35.2	895.0	68.2	31.0
HWR16-P	Shipping	18.1	460.0	22.8	580.0	25.6	650.0	83.6	38.0

TECHNICAL

Code	Gas Type	# of Jets	Total BTU Output	WOK TOP SIZE	Operating Gas Pressure
HWR13-N	NG	18	95000	13-inches	5.0" W.C.
HWR13-P	LP	18	95000	13-inches	10.0" W.C.
HWR16-N	NG	28	125000	16-inches	5.0" W.C.
HWR16-P	LP	28	125000	16-inches	10.0" W.C.

LINE DRAWINGS



EFI Sales Ltd.
 Toronto Office & DC
 515 Hanlon Creek Blvd.
 Guelph, ON, N1C 0A1

EFI Sales Ltd.
 Vancouver Office & DC
 26895 Gloucester Way
 Langley, BC, V4W 3Y3

(888) 565-9920 Toll Free
 (519) 822-1895 Toronto
 (604) 607-8850 Vancouver